

### Air Purifier AP-D87



Ion Output:	1,000,000 pcs/cm <sup>3</sup>
Ozone Output:	5 mg / h
Electrical:	4pcs 1.5V AA size batteries
Case:	Plastic.
Dimension (LxWxH):	2.9" x 2.7" x 4.7" (74 x 68 x 120mm)
Net Weight:	0.33 lb (0.15 kg)

Very ideal for use in refrigerator to keep the foods fresh for longer time. It also can be used to improve car air quality, and creates better environment, being a good friend for a healthy life.

#### Features:

- Built-in micro CPU intelligently to control the operation cycle & mode
- The colored LED indication.
- Run for about 90 days on 4 AA batterie
- No costly filter to replace
- Very elegant and space-saving design
- One year warranty
- **CE & RoHsCertificate**

#### Benefits:

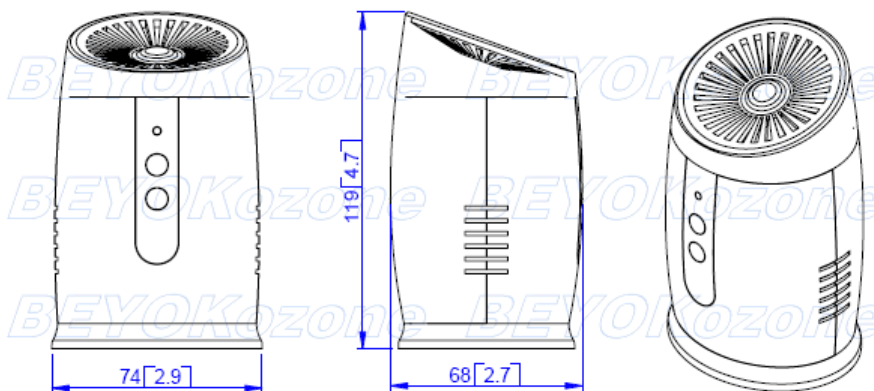
- Eliminates odors
- Kill certain types of bacteria to avoid the growth of mildew.
- Freshens stale air
- Safe, quiet and energy efficient

#### Application:

- Refrigerator
- Auto
- Closet
- Bathroom

#### Size View:

Unit: mm [ inch ]



AP-99