

Ozone Generator Cell FQA-100



Ozone Output:	100-200 mg/hr @ air
Ozone Generating Method:	Corona Discharge
Electrical:	AC220V-AC110V-AC24V-DC12V, 7W
Diffusion Method:	Diffuse into the air directly
Installation Method:	Panel embedded
Case:	Plastic
Accessory:	None
Dimension(LxWxH):	2.4**1.7**1.4"(61*42*36mm); 3.0**0.9**0.8"(76*23*20 mm)
Installation Dimension:	2.8**1.4"(70*35 mm); 3.4"(86 mm)
Net Weight:	- kg

The FQA- series of BEYOK ozone generator cells are mainly used for air disinfections and sterilizations with panel embedded way, they can provide stable and efficient ozone output, easy to install, operate and maintain.

Features:

- Integrated design two in one unit with driving circuit and ozone generator tube
- Stable & efficient output
- Low noise
- Long working life

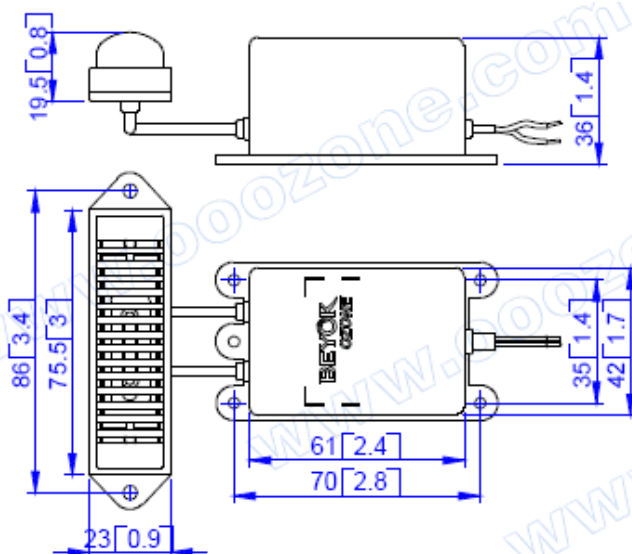
Benefits:

- High efficient broad-spectrum sterilization
- Good dispersion
- Without ozone residual and secondary pollution

Application:

- Washing machine, dishwasher, water machine, water purification machines, coin-operated sale water, fruit and vegetable detoxification machines, aquatic animals, the spa machine, surfing bathtub, slimmer.
- Medical apparatus and instruments, air purifier, disinfection cabinet, refrigerator, dryer, shoe ark, wardrobe, beauty equipment, oxygen machine, toilet, incubator, car, air conditioning, ventilation, air curtain machine, exhaust pipe, medical emergency.

Size View:



FQA-100

