

Wall Mounted Air Purifier **GQA-V10G**



BEYOK
OZONE COZONE

| | |
|--------------------------|---|
| Ozone Output: | 10 g/hr @ Air |
| Ozone Generating Method: | Corona Discharge |
| Electrical: | 220V/50Hz-120V/60Hz, 160W |
| Air volume: | 6 m3/min |
| Control: | Programmable electronic loop controller |
| Accessory: | Outer loop timer (optional) |
| Application Range: | 200-300 m3 |
| Case: | Stainless steel |
| Dimension(LxWxH): | 23.6" *12.6"*7.1" (600*320*180 mm) |
| Net Weight: | - kg |

The GQA-V-P series of BEYOK wall mounted air purifiers use tabular modules of high performance with built-in fans, can destroy bacteria, purify air and eliminate peculiar smell in fixed time automatically. They are suitable for food factory assembly lines, restaurants, and refrigerated storages, etc.

Features:

- Wall mounted
- Simple operation
- Can connect an external timer
- Strong ventilation
- Good dispersion
- Low cost
- Easy to maintain

Benefits:

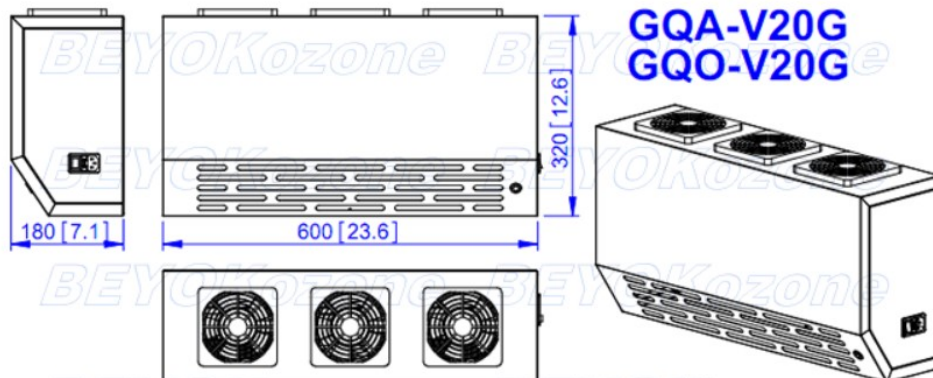
- High efficient broad-spectrum sterilization
- Good dispersion
- Without ozone residual and secondary pollution

Application:

- Sterilization and disinfection: restaurant, hospital, packing workshop, food factory.
- Food fresh keeping: refrigerated storage.
- Deodorization: basement, garage, store room, hotel.

Size View:

Unit: mm [inch]



BEYOK
OZONE COZONE