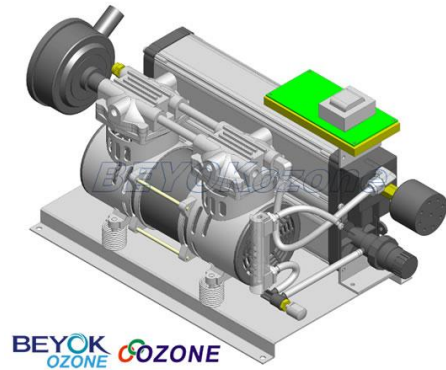


Oxygen Concentrator OX-H05T



Oxygen Concentration:	93%±3%
Oxygen Flowrate:	0-10 SCFH (0-5 lpm)
Power Requirement:	220V/50Hz, 2.0A
Output Pressure:	0.05MPa±10%
Oxygen Dewpoint:	-100 degrees F
Operational temperature:	41°F to 105°F (5°C to 40°C.), R.H.≤80%
Expected Life:	10,000 hours
Alarms:	Power failure, temperature, over current
Flowmeter:	Included - units in LPM
Isolation Mounts:	Included & installed
Dimension (LxWxH):	17.7" *9.1" *9.9" (450*230*252 mm)
Net Weight:	40 lb (18 kg)

The OX-series oxygen concentrator uses ambient air as a source of oxygen. It is designed to deliver continuous and concentrated flow of oxygen. It has been designed to provide a combination of enhanced features, reliability of a proven technology and unsurpassed quality. It runs on electricity and the only maintenance required is the regular cleaning of filters.

Features:

- Oxygen concentration between 93%±3%
- Very quiet and safe, less than 49dB
- Simple to use and maintain
- Superior Grade of AB Column Molecular Sieve
- Economical, dependable and durable
- Compressor included

Applications:

- Ozone Generator Feed Gas
- Aqua Culture
- Medical Application
- Multi Industry Usages

Size View:

