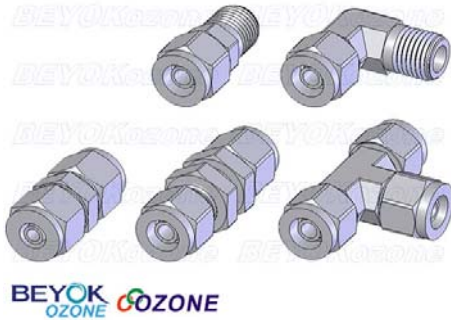


**Connector SS Connector**



We offer the following stainless steel connectors:

	Part Number	Description
<b>Male Connectors</b>	MC-5-2	5/16-in Compression x 1/8-in MPT Male
	MC-6-4	3/8-in Compression x 1/4-in MPT Male
<b>Male Elbows</b>	ME-5-2	5/16-in Compression x 1/8-in MPT Male
	ME-6-4	3/8-in Compression x 1/4-in MPT Male
<b>Union Connectors</b>	UC-5	5/16-in Compression
	UC-6	3/8-in Compression
<b>Bulkhead Unions</b>	BU-5	5/16-in Compression
	BU-6	3/8-in Compression
<b>Union Tees</b>	UT-5	5/16-in Compression
	UT-6	3/8-in Compression

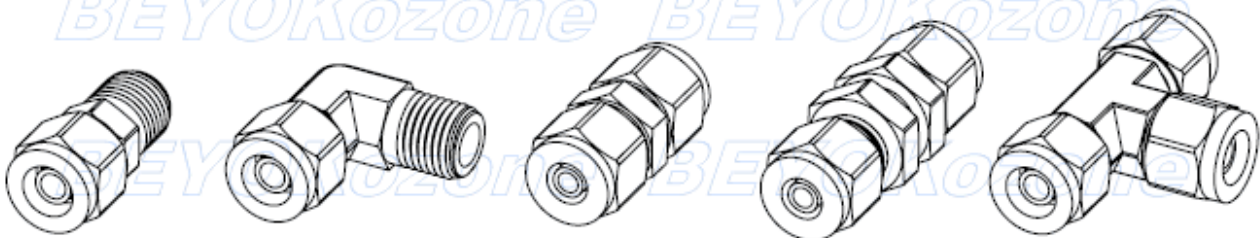
These ozone compatible stainless steel fittings ensure ozone resistance and the highest strength of any fitting.

**Features:**

- All Compression Fittings can replace by Rapid Fittings
- Customize other size fittings
- Stainless Steel Material
- Will not break
- Perform in harsh environments
- Metal Injected Molded Construction

**Size View:**

Unit: mm [ inch ]



**Male Connectors / Male Elbow / Union Connectors / Bulkhead Unions / Union & Reducing Tees**

Fittings	Part Number	Description
<b>Male Connectors</b>	MC-5-2	5/16-in Compression x 1/8-in MPT Male SS Connector
	MC-6-4	3/8-in Compression x 1/4-in MPT Male SS Connector
<b>Male Elbows</b>	ME-5-2	5/16-in Compression x 1/8-in MPT SS Male Elbow Connector
	ME-6-4	3/8-in Compression x 1/4-in MPT SS Male Elbow Connector
<b>Union Connectors</b>	UC-5	5/16-in Compression SS Union
	UC-6	3/8-in Compression SS Union
<b>Bulkhead Unions</b>	BU-5	5/16-in Compression SS Bulkhead Union
	BU-6	3/8-in Compression SS Bulkhead Union
<b>Union &amp; Reducing Tees</b>	UT-5	5/16-in Compression SS Union Tee
	UT-6	3/8-in Compression SS Union Tee

All Compression Fittings can replace by Rapid Fittings