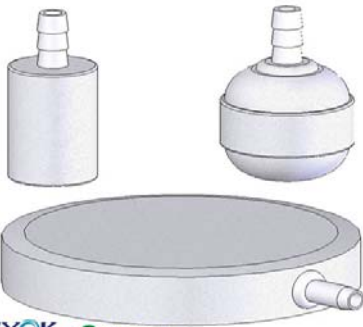


Ozone Diffuser Silica Diffuser



Material:	Corundum			
Color:	White or black			
Inlet Dia:	1/4" Barb			
Dimension & Flow:	Model #	Dimensions [in]	Connection	Suggested Flow
	PD-Si0812	Ø0.8 x 1.2 (Column)	1/4-in Barb	3 LPM
	PD-Si1212	Ø1.2 x 1.2 (Ball)	1/4-in Barb	5 LPM
	PD-Si3106	Ø3.1 x 0.6 (Disk)	1/4-in Barb	20 LPM

Ozone Diffuser includes air stone (Silica Diffuser) and titanium diffuser.

Features:

- Cylindrical & spherical shapes available
- Completely ozone resistant
- Choose from 5/16", 1/4" barb Connections
- Accommodates flowrate from 2-20 LPM (higher flowrate available)
- Easily cleaned with HCl

Size View:

